



- Trademark JX10 design upgraded and improved
- Upgraded Bluetooth 2.0 & e-SCO software for improved audio
- Multipoint software allows connection to two devices simultaneously
- Jacob Jensen designed in-car charger as 'in the box' accessory



Specifications

- Less than 10 g
- Size: L3.9 x W2 x D2 cm
- Digital sound enhancement via DSP technology
- One-touch pairing button
- Optional charging from PC via USB
- Complete with desktop charging cradle and in-car charger
- Up to 6 hours talk time and up to 200 hours standby
- Multi-coloured light indicator (LED) for status on Bluetooth, battery and charging
- 2 different wearing styles – with or without the earhook
- Easily accessible volume control
- Answer/end call
- Voice dial*
- Last-number redial*
- Reject call*
- Call hold/ call wait*
- Bluetooth 2.0 supporting headset and hands-free profile

* Subject to phone and/or network type

Jabra
JX 10
SERIES II

Bluetooth



M04_JX10SeriesII_01_05/07

Freephone customer support numbers:

Denmark: 70252272
Finland: 00800 722 52272
Italy: 800 786543
Norway: 800 61272
Spain: 900 984 542
Sweden: 020792522
UK: 08000 327 026

E-mail: support.no@jabra.com
E-mail: support.no@jabra.com
E-mail: support.it@jabra.com
E-mail: support.no@jabra.com
E-mail: support.es@jabra.com
E-mail: support.no@jabra.com
E-mail: support.uk@jabra.com

**Bluetooth headset
for mobile phones**

Jabra

© 2007 Jabra, GN A/S. All rights reserved. Jabra® is a registered trademark of GN A/S. All other trademarks included herein are the property of their respective owners. The Bluetooth® word mark and logos are owned by the Bluetooth SIG, Inc. and any use of such marks by GN A/S is under license. (Design and specifications subject to change without notice).

www.jabra.com

Jabra JX10

SERIES II

A pure design attitude

Jabra JX10 series II – A style icon that just got better

The JX10 series II takes the JX10 one step further. Featuring the trademark sleek design from the European Design House of Jacob Jensen; JX10 series II has been given an internal makeover - giving it even greater performance than before.

It's what is inside that really counts

The popular JX10 design remains, but under the shell a number of improvements have taken place.

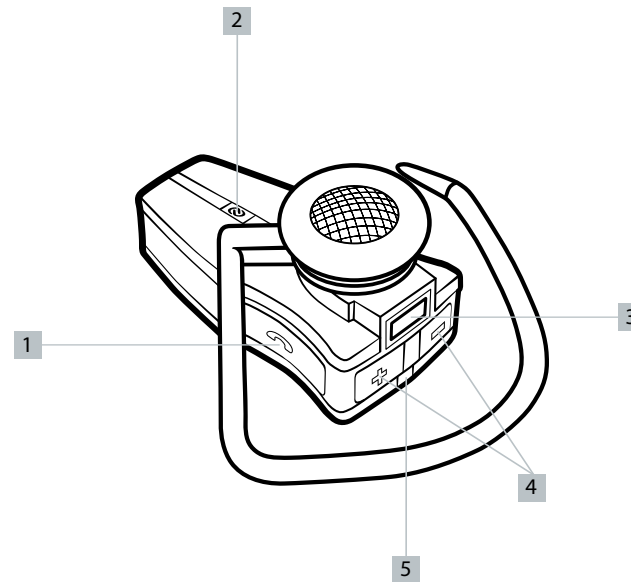
JX10 series II has been upgraded to Bluetooth 2.0 and e-SCO – for improved audio quality.

Multipoint - for the business user


JX10 series II has been upgraded with Multipoint software, making it an invaluable business tool. Multipoint software means the JX10 series II can be connected with two devices at any one time. (For example an office IP phone, desk phone and mobile phone may have simultaneous connection.*)

In-car charger - designed by Jacob Jensen

JX10 series II is now even easier to charge when on the move – a stylishly designed in-car charger is now a standard accessory in the box.



Quick start guide

1. Fully charge your Jabra JX10 until the LED turns green and switch on by pressing and holding the answer/end button. **1**
2. Press the pairing button **2** marked  to put the JX10 in pairing mode.
3. Set your mobile phone to 'discover a Bluetooth device' (see your phone user guide).
4. Press Yes or OK when asked if you want to pair the phone with the Jabra JX10.
5. Enter passkey or PIN = 0000 (4 zeros), then press Yes or OK.
6. Your phone will confirm when pairing is complete.
7. Release your Jabra!

Basic functions

Making a call

When you make a call from your mobile phone, the call will automatically transfer to your headset. If your phone does not support this setting, just tap the answer/end button to transfer the call to the headset.

Answering and ending a call

Tap the answer/end button on your headset to answer a call. To end your call, just tap the answer/end button again.

Last number redial

Double tap the answer/end button for 1 second to redial the most recent number dialed.

1

Answer/end button
Manage your calls directly from your headset

2

Dedicated pairing button
Pairing is simple with this one-touch button

3

Charging socket;
Charge from AC adaptor, PC via USB cable, or in-car charger

4

Volume control
Control the call volume without accessing your mobile phone

5

Multi-coloured light indicator (LED)
Shows status on Bluetooth, low battery and charging

Jabra