



Jabra BT 5020



Comfort
for all-day
wearing

Designed
for ultimate
discreetness

Excellent
sound
quality and
easy operation

Features and specifications

- Up to 10 hours talk time and up to 300 hours standby
- MultiPoint connections
- AutoPair functionality
- Optimized wind noise reduction
- Enable/Disable vibrating alert
- Multi-colored light indicator (LED) for:
 - LED is switched off after one minute of inactivity
 - Visual alert of incoming calls for ultimate discretion
- Charging
- Battery status indicator
- Pairing
- Weighs approx. 16 g
- Optional charging from PC via USB cable
- Mute
- Answer / end call
- Voice dial*
- Last Number redial*
- Reject call*
- Call hold / Call wait*
- Bluetooth 2.0 supporting headset and hands-free profile

* device dependent

M04_BT5020_6011/06



Customer Support Toll Free Phone (Monday to Friday except public holidays)

Australia:	1-800-083-140	10:00 - 19:00 Eastern time
China:	800-858-0789	8:00 - 19:00
Hong Kong:	800-968-265	8:00 - 17:00
Indonesia:	001-803-852-7664	7:00 - 16:00
India:	000-800-852-1185 (ISD only)	05:30 - 14:30
Japan:	0034-800-400-594	9:00 - 18:00
Malaysia:	1800-812-160	8:00 - 17:00
New Zealand:	0800-447-982	12:00 - 21:00
Philippines:	1-800-1-855-0034	8:00 - 17:00
Singapore:	800-860-0019	8:00 - 17:00
Taiwan:	0080-186-3013	8:00 - 19:00

Extreme comfort – Exquisite style

Jabra



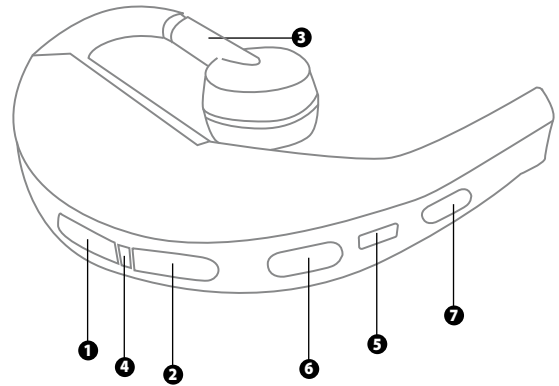
Jabra BT 5020

Extreme comfort – Exquisite style

Imagine a headset so comfortable that even after wearing it all day long, you can hardly feel it. And so discreet that you and those around you hardly notice it. The new Jabra BT5020 Bluetooth headset gives you that dream combination – you might even forget to take it off when you curl up in bed!

We've made the dream come true by making a headset which is small, light and comfortable. Designed for discreet style in matt black, the Jabra BT5020 packs a lot of features into its slender shape: MultiPoint connections, wind noise reduction, visual and vibrating alert of incoming calls, battery status indicator, up to 10 hours of talk time and up to 300 hours standby – an ideal mix for hard-working people.

Once again, Jabra delivers on its promise of industry-leading performance, easy operation and state-of-the-art design.



- ❶ Volume up
- ❷ Volume down
- ❸ Adjustable earhook: wear the headset on either ear
- ❹ Light indicator (LED)
- ❺ Charging socket
- ❻ On/Off/Pairing
- ❼ Answer/end button