



Exclusive design by world-renowned Danish designer, Jacob Jensen

One of the smallest Bluetooth® headsets ever made

Digital sound enhancement via DSP technology



Specifications

- Less than 10 g
- Size: L3.9 x W2 x D2 cm
- Digital sound enhancement via DSP technology
- One-touch pairing button
- Optional charging from PC via USB
- Complete with desktop charging cradle and carry pouch
- Up to 6 hours talk time and 200 hours standby
- Multi-coloured LED light indicators for status on Bluetooth, battery and charging
- 2 different wearing styles – with or without the earhook
- Easily accessible volume control
- Answer/end call
- Voice dial*
- Last-number redial*
- Reject call*
- Call hold/ call wait*
- Bluetooth 1.2 supporting headset and hands-free profile

* Subject to phone and/or network type

Jabra JX10

Designed by Jacob Jensen

Measures less than 4 cm

Weighs less than 10 grams



M04_JX10_01_10/05

Freephone customer support numbers:

Denmark: 70252272
 Finland: 00800 722 52272
 Italy: 800 786543
 Norway: 800 61272
 Spain: 900 984 542
 Sweden: 020792522
 UK: 0800 327 026

E-mail: support.no@jabra.com
 E-mail: support.no@jabra.com
 E-mail: support.it@jabra.com
 E-mail: support.no@jabra.com
 E-mail: support.es@jabra.com
 E-mail: support.no@jabra.com
 E-mail: support.uk@jabra.com

Bluetooth headset for mobile phones

RELEASE YOUR JABRA

Jabra

Jabra JX10

A pure design attitude

Stylish design

The Jabra JX10 takes Bluetooth® headset design to the next level. Created by world-renowned Danish designer, Jacob Jensen, this is a wireless mobile headset where style is the operative word.

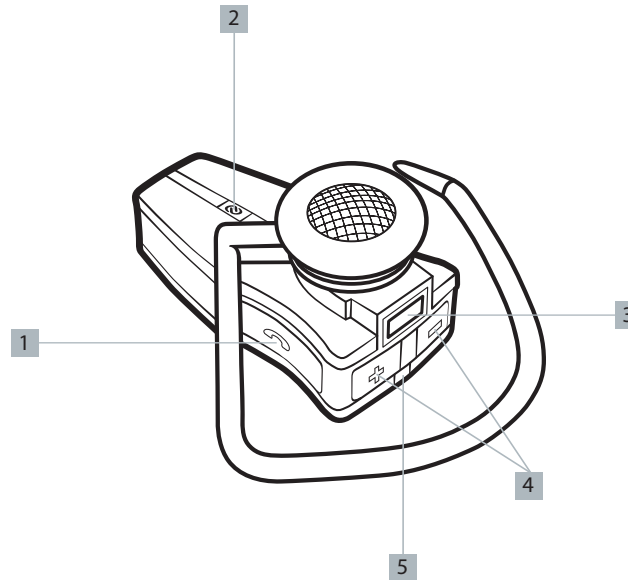
Compact design

The sleek, compact design makes Jabra JX10 amongst the smallest and lightest Bluetooth headsets available – but there is no compromise on the prize-winning functionality and performance that Jabra is famous for. Weighing in at less than 10 grams, you'll barely feel you're wearing it.


Intelligent design

Every aspect of the Jabra JX10 is designed to perfection. Pairing to your mobile phone is simple with the intuitive one-touch button. Automatic volume control elevates sound level and quality to match your environment – and DSP (Digital Signal Processing) technology reduces background noise significantly. Even recharging is stylish and simple with the elegant desktop charging cradle.

Refine your style. Release your Jabra.



Quick start guide

1. Fully charge your Jabra JX10 for 2 hours and switch on by pressing and holding the answer/end button **1**
2. Press the pairing button **2** marked  to put the JX10 in pairing mode
3. Set your mobile phone to 'discover a Bluetooth device' (see your phone user guide)
4. Press Yes or OK when asked if you want to pair the phone with the Jabra JX10
5. Enter passkey or PIN = 0000 (4 zeros), then press Yes or OK
6. Your phone will confirm when pairing is complete
7. Release your Jabra!

Basic functions

Making a call

When you make a call from your mobile phone, the call will automatically transfer to your headset. If your phone does not support this setting, just tap the answer/end button to transfer the call to the headset.

Answering and ending a call

Tap the answer/end button on your headset to answer a call. To end your call, just tap the answer/end button again.

Last number redial

Press the answer/end button for 1 second, to redial the most recent number dialed.

1

Answer/end button
Manage your calls from your headset without having to access your mobile

2

Dedicated pairing button
Pairing is simple with this one-touch button

3

Charging socket
Charge from AC adaptor or from PC via USB cable

4

Volume control
Easy access on headset

5

Multi-coloured LED light indicators
Show status on Bluetooth, low battery and charging

Jabra