

Jabra JX10 Cara

Design by Jacob Jensen



Jacob Jensen design

Timeless masterpiece

24 carat gold and brushed stainless steel

Specifications

- Less than 14 g
- Size: L3.9 x W2 x D2 cm
- Digital sound enhancement via DSP technology
- One-touch pairing button
- Optional charging from PC via USB
- Jacob Jensen designed desktop charging cradle, leather pouch, necklace, and in-car charger
- Up to 6 hours talk time and up to 200 hours standby
- Multi-coloured light indicator (LED) for status on Bluetooth, battery and charging
- 2 different wearing styles – with or without the earhook
- Easily accessible volume control
- Answer/end call
- Voice dial*
- Last-number redial*
- Reject call*
- Call hold/ call wait*
- Bluetooth 2.0 supporting headset and hands-free profile

* Subject to phone and/or network type

Freephone customer support numbers:

Denmark: 70252272
Finland: 00800 722 52272
Italy: 800 786543
Norway: 800 61272
Spain: 900 984 542
Sweden: 020792522
UK: 08000 327 026

E-mail: support.no@jabra.com
E-mail: support.no@jabra.com
E-mail: support.it@jabra.com
E-mail: support.no@jabra.com
E-mail: support.es@jabra.com
E-mail: support.no@jabra.com
E-mail: support.uk@jabra.com

M04_JX Cara_01_05/07



Bluetooth headset
for mobile phones

Jabra

© 2007 Jabra, GN A/S. All rights reserved. Jabra® is a registered trademark of GN A/S. All other trademarks included herein are the property of their respective owners. The Bluetooth® word mark and logos are owned by the Bluetooth SIG, Inc. and any use of such marks by GN A/S is under license. (Design and specifications subject to change without notice).

www.jabra.com

Bluetooth®



Jabra JX10 Cara

Design by Jacob Jensen

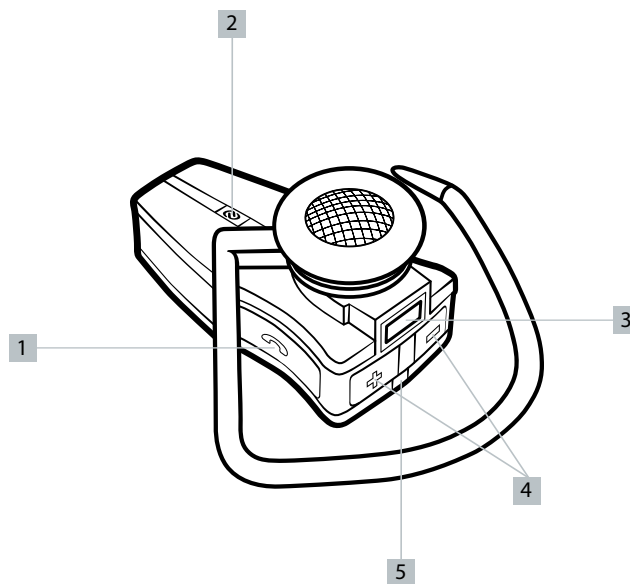


Introducing the JX10 Cara - for those that seek the finer things in life.


Discover the refined Bluetooth headset icon from the renowned European design house Jacob Jensen.

Indulge your senses in a timeless masterpiece bringing out the sophistication of stainless steel and the true beauty of 24 carat gold.

The JX10 Cara is simply the most elegant way to talk wirelessly on your mobile phone.



Quick start guide

1. Fully charge your Jabra JX10 Cara until the LED turns green and switch on by pressing and holding the answer/end button. **1**
2. Press the pairing button **2** marked  to put the JX10 Cara in pairing mode.
3. Set your mobile phone to 'discover a Bluetooth device' (see your phone user guide).
4. Press Yes or OK when asked if you want to pair the phone with the Jabra JX10 Cara.
5. Enter passkey or PIN = 0000 (4 zeros), then press Yes or OK.
6. Your phone will confirm when pairing is complete.

Basic functions

Making a call

When you make a call from your mobile phone, the call will automatically transfer to your headset. If your phone does not support this setting, just tap the answer/end button to transfer the call to the headset.

Answering and ending a call

Tap the answer/end button on your headset to answer a call. To end your call, just tap the answer/end button again.

Last number redial

Double tap the answer/end button for 1 second to redial the most recent number dialed.

1

Answer/end button
Manage your calls directly from your headset

2

Dedicated pairing button
Pairing is simple with this one-touch button

3

Charging socket;
Charge from AC adaptor, PC via USB cable, in-car charger, or desk stand

4

Volume control
Control the call volume without accessing your mobile phone

5

Multi-coloured light indicator (LED)
Shows status on Bluetooth, low battery and charging

Jabra