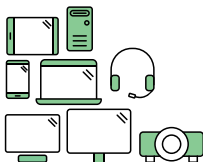


# Battery Repair Guide

Jabra Speak2 55



## Say hello to a more sustainable product

IT products are associated with a wide range of sustainability risks throughout their life cycle. Human rights violations are common in the factories. Harmful substances are used both in products and their manufacture. Products can often have a short lifespan because of poor ergonomics, low quality and when they are not able to be repaired or upgraded.

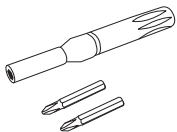
**This product is a better choice.** It meets all the criteria in TCO Certified, the world's most comprehensive sustainability certification for IT products. Thank you for making a responsible product choice, that help drive progress towards a more sustainable future!

Criteria in TCO Certified have a life-cycle perspective and balance environmental and social responsibility. Conformity is verified by independent and approved verifiers that specialize in IT products, social responsibility or other sustainability issues. Verification is done both before and after the certificate is issued, covering the entire validity period. The process also includes ensuring that corrective actions are implemented in all cases of factory non-conformities. And last but not least, to make sure that the certification and independent verification is accurate, both TCO Certified and the verifiers are reviewed regularly.

### Want to know more?

Read information about TCO Certified, full criteria documents, news and updates at [tcocertified.com](https://www.tcocertified.com). On the website you'll also find our Product Finder, which presents a complete, searchable listing of certified products.

## Equipment



1x Screwdriver  
(PH0 & PH1)

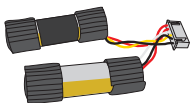


1x ESD- safe  
tweezers



1x Spudger

## Replacement components



Battery

Part number:

[26-03770](#)



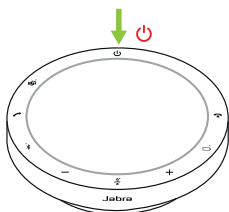
Silicone ring

Part number:

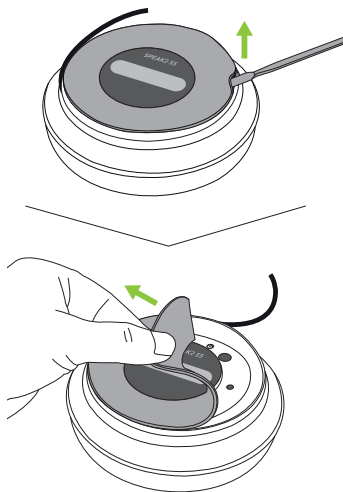
[07-10617](#)

Ensure you have the replacement part before starting disassembly.

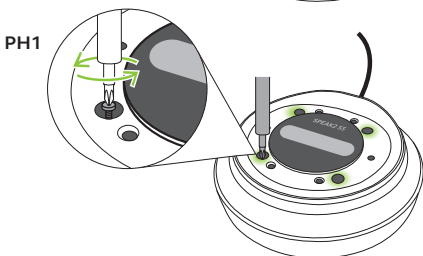
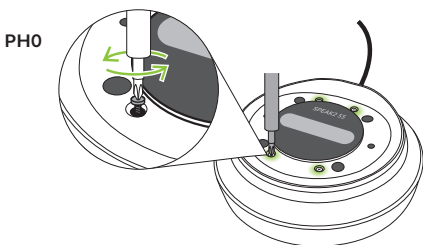
1. Disconnect and power off the speakerphone.



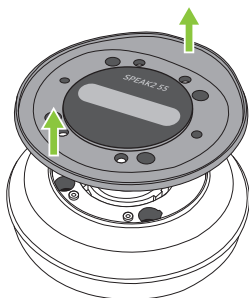
2. Flip the speakerphone over and use the spudger to remove the silicone ring.



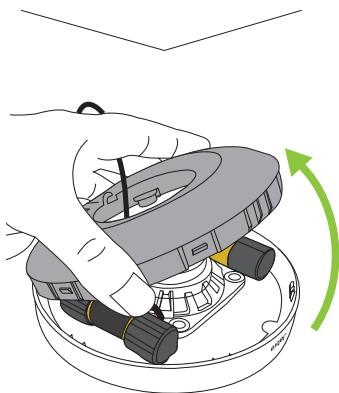
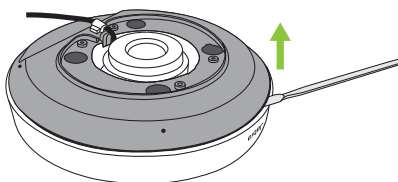
3. Use the PH0 screwdriver to remove the 4 short screws identified below. Use the PH1 screwdriver to remove the 4 long screws identified below.



4. Remove the plastic cover.



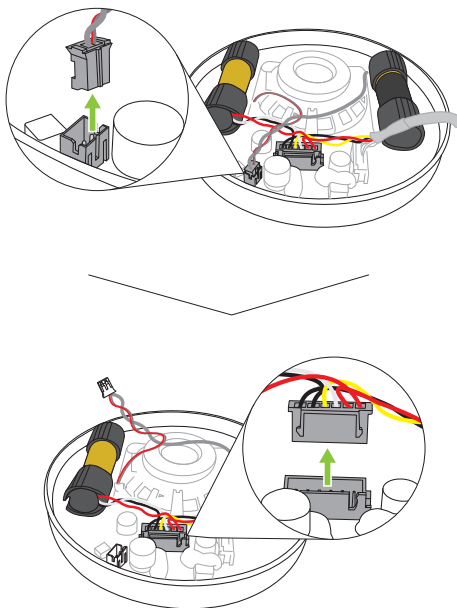
5. Insert the spudger in the seam near the Jabra logo to pry the battery cover from the speaker housing.



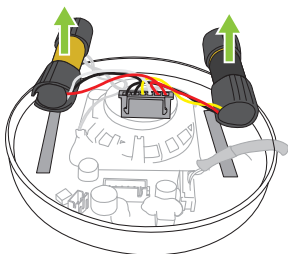
6. Disconnect the battery and speaker connectors using the tweezers.

**WARNING!**

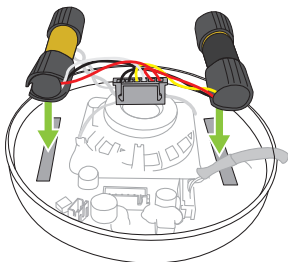
Avoid contact with surrounding parts to prevent loosening or functional failure.



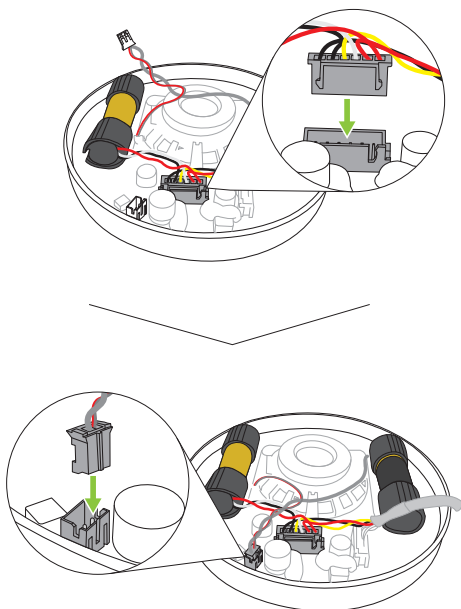
7. Remove the battery from the speaker housing.



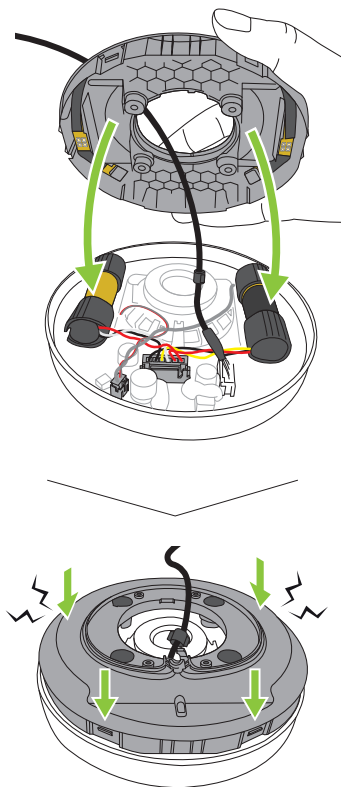
8. Insert the replacement battery in the designated areas. Ensure the cables are properly routed.



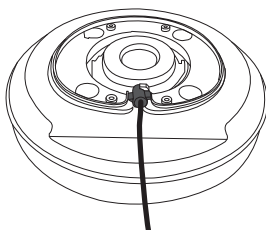
9. Connect the battery and speaker connectors.



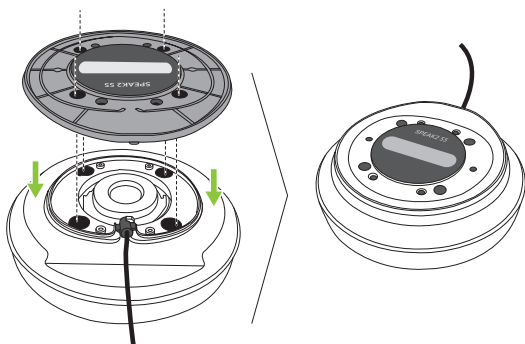
10. Align the battery cover with the speaker housing and press down. You will hear an audible click as the battery cover securely snaps into place.



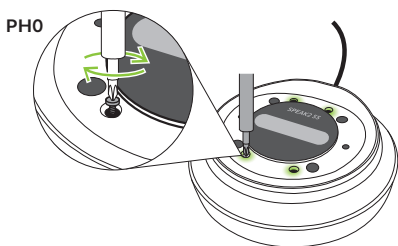
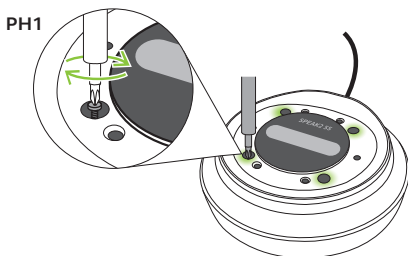
11. Ensure the charging cable is routed under the hook and then push it into place to secure it.



12. Ensure the speakerphone is positioned with the charging cable facing away from you. Align the plastic cover so the product name is upright and readable and place it in position.



13. Use the PH1 screwdriver to replace the 4 long screws identified below. Use the PH0 screwdriver to replace the 4 short screws identified below.



14. Place the silicone ring in position.

