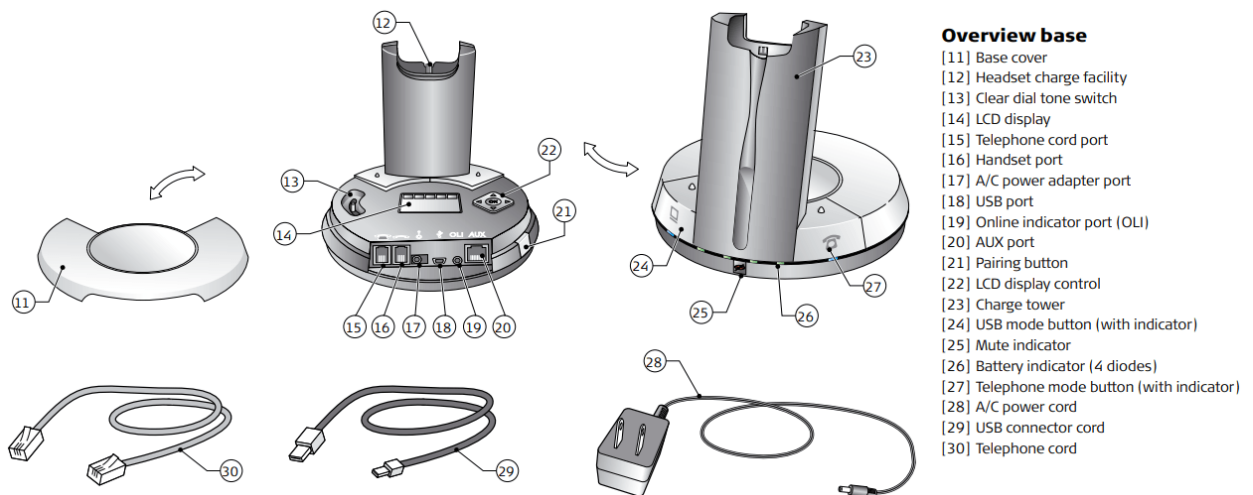


Jabra GN9350e

How do I adjust the microphone level?

To adjust the microphone level so your voice is heard clearly, follow these steps.

1. Put on the headset.
2. On the base, locate the menu for adjusting the volume.
You will need to remove the base cover to access the LCD menu [14] screen and controls [22].



3. Make a call to someone who will act as a test person.
4. Adjust the microphone level settings until the test person confirms that your voice is at the appropriate volume.
5. Press **OK** to confirm the new setting.

Note

The image is in English. For translated versions check the available languages of the Quick Start Guide in the **Technical Documents** section.

Applicable products



Jabra GN9350e



Jabra GN9350e MS