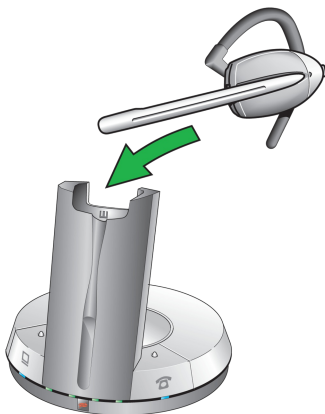


Jabra GN9350e With GN1000 Remote Handset Lifter

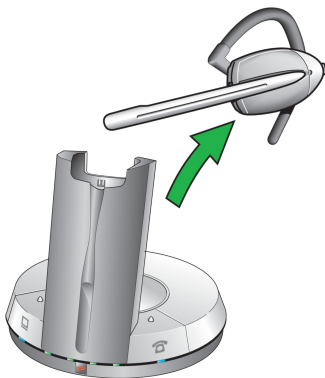
How do I reset the connection between the headset and base on my Jabra GN93x0e?

To reset the connection between your Jabra GN93x0e headset and base, use the following steps. Note that the base will not be restored to the factory default.

1. Dock your Jabra GN93x0e in the base.



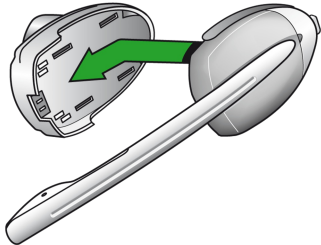
2. Disconnect the power supply cable from the base.
3. Remove your Jabra GN93x0e from the base.



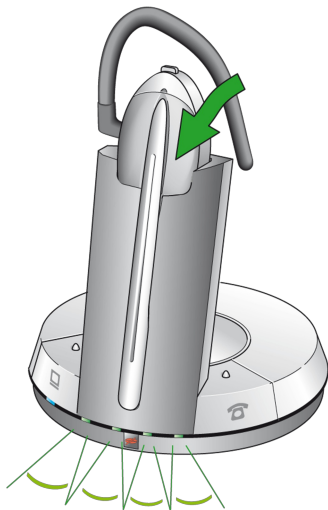
4. Remove the battery pack by sliding the back side of the speaker

housing downward.

5. Replace the battery pack. The LED on the headset turns blue for 2 seconds.



6. Dock your Jabra GN93x0e in the base, and then reconnect the power supply cable. The four LEDs on the base flash green once. After 5 seconds, the LED on the headset flashes blue once.



7. Your Jabra GN93x0e is now reset and is ready for use again.