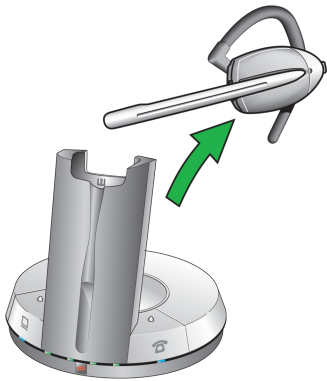


# Jabra GN9350e MS

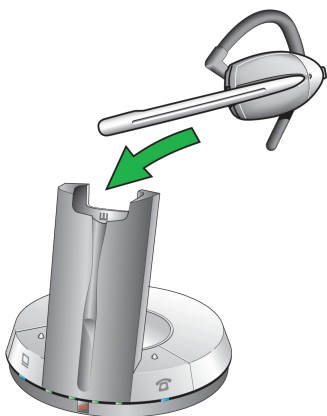
## How do I use conference mode with my Jabra GN9350e?

To use conference mode with your Jabra GN9350e, you need at least one additional headset. You can use up to four headsets per base. Use the following steps:

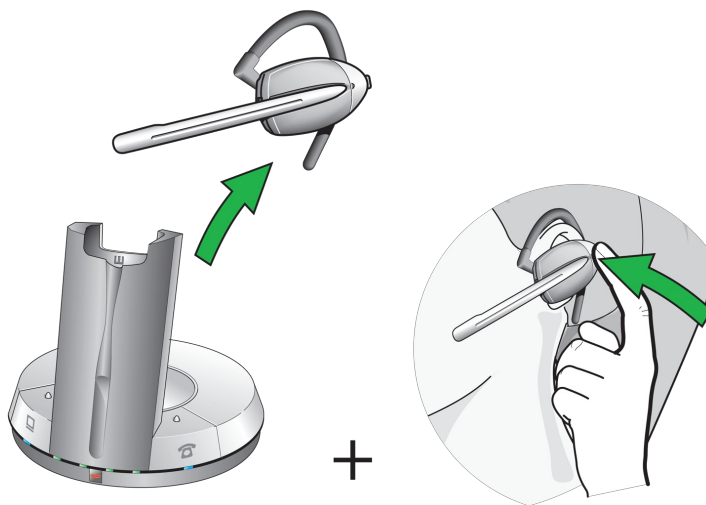
1. Remove the headset from the base, and set up a call. This headset is the primary headset and controls the conference.



2. During the call, place the second headset on the base of the primary headset. On the base, the LEDs for the phone and the USB light up. After approximately 3-4 seconds, the "online" display of the second headset also lights up for approximately 2 seconds.



3. Remove the headset from the base, and a triple signal tone is then announced in the primary headset.
4. To start conference mode, confirm the signal tone by pressing the **Answer/end** button on the primary headset.
5. Repeat steps 1-4 for additional headsets to participate in the conference.



6. End the conference by pressing the **Answer/end** button on the primary headset. A participating headset can leave the conference at any time by pressing the **Answer/end** button once.

Note: The RHL setting means that conference mode is always active. The DHSG setting means that conference mode is active on a per-call basis. Conference mode is not possible in AEI or MSH mode.